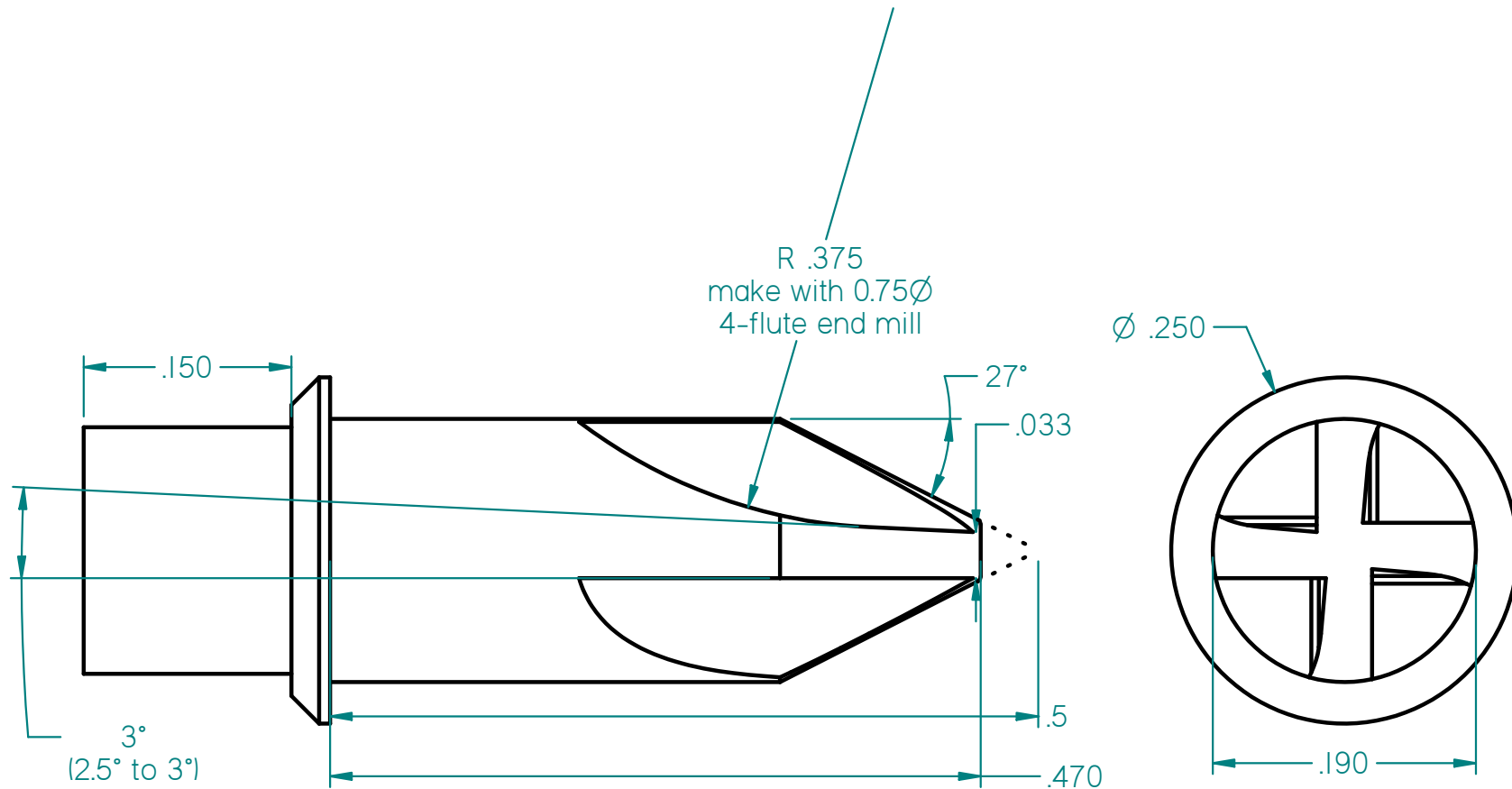


REVISION HISTORY

REV	DESCRIPTION	DATE	APPROVED



Material: W1 drill rod, 0.250 diameter

	NAME	DATE
DRAWN	Bob	12/11/23
CHECKED		
ENG APPR		
MGR APPR		

KITPLANES

TITLE
#2 Phillips Screwdriver Tip, Simplified

UNLESS OTHERWISE SPECIFIED
DIMENSIONS ARE IN INCHES
ANGLES ±XX°
2 PL ±X.XX 3 PL ±X.XXX

SIZE	DWG NO	REV
A	12-11-2023BHDI	
FILE NAME: scredriver tip.dft		
SCALE:	WEIGHT:	SHEET 1 OF 1